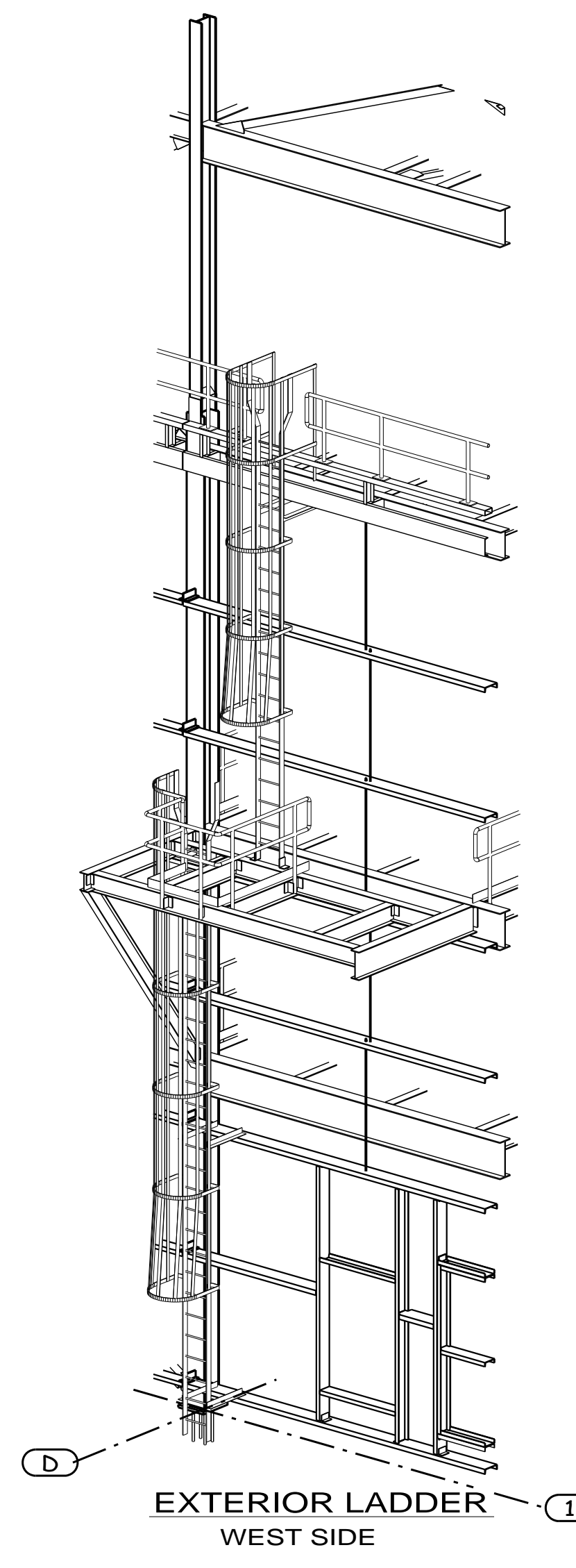
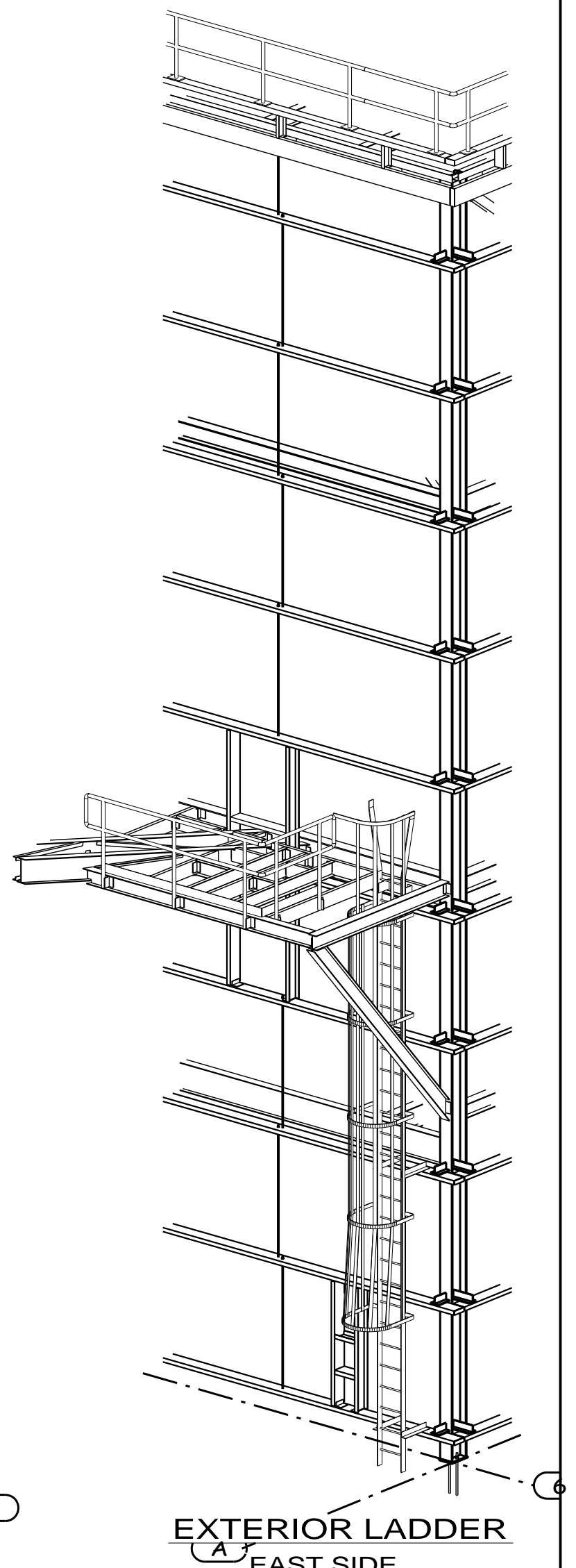


PERSPECTIVE
LOOKING SOUTH/WEST
WEIGHT: 659.8 MTON



EXTERIOR LADDER
WEST SIDE



EXTERIOR LADDER
EAST SIDE

DESCRIPTION	DATE
ANLIN WELDING & STEEL FAB.	
CUSTOMER: ELLISDON	
PROJECT: TERRA GRAIN FUELS INC.	
DWG. TITLE: PERSPECTIVE	
DRAWN: CDS/AJL	CONTRACT
MATERIAL: G40.21-350W	5499
HOLES: 22d U/N	U/NOTED
DATE: 09/04/2009	DWG. NO.
PAINT: STD PRIMER	REF:
	TERRA