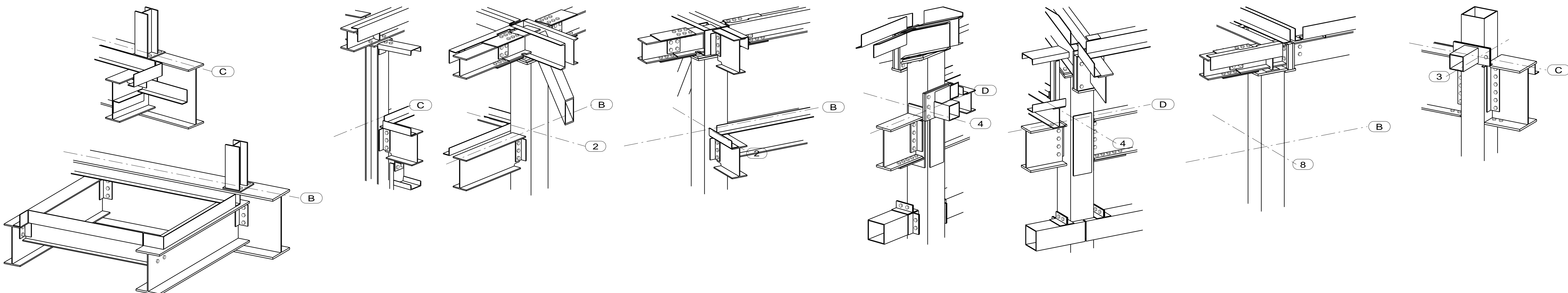


PERSPECTIVE
LOOKING SOUTH/WEST
WEIGHT: 202.6 MTON



BENSON STEEL
72 COMMERCIAL ROAD, BOLTON ONTARIO, CANADA L7E 1K4
PH: 905-857-0684
www.bensonsteel.com

PROJECT: CWB GROUP OFFICE & TRAINING CENTRE
CUSTOMER: ELITE CONSTRUCTION INC.
ENG./ARCHT.: DORLAN ENGINEERING CONSULTANT INC.
DWG. TITLE: PERSPECTIVE

1	A	ISSUE FOR APPROVAL	JUL 5/09	DRAWN BY: CDS	CHECKED BY: AJL	JOB NUMBER	DWG. NUMBER
REV NO.	REV MARK	REVISION DESCRIPTION	REVISION DATE	DATE:	DATE:	10-09	3D